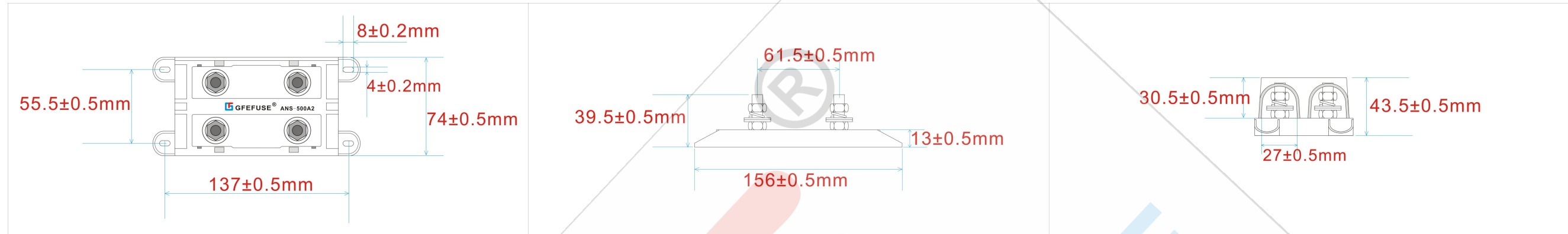


(GFEV(500A2) (one out two prongs (bolt) automobile fuse box)

Double out and double in fork bolt automobile fuse box

1. Shape Installation Dimension



2. Product introduction

1. Product model: GFEV(500A2 a) automobile fuse box (one in two out automobile fuse box)
2. Suitable for GFEFUSE® ANL-A™ series fork bolt automobile fuse
3. Base: PBT+GF (UL-94v0)
4. Top cover: PC
5. Fasteners: class 8.8 high strength screws (screws)
6. IATF 16949:2016 quality management system
7. Electrical performance:
Current: 30A-500A(DC)
Voltage: 12V-125V (DC)
8. This product is applicable to: car battery, assembly, new energy, car modification, rv, heavy truck, car wiring harness, high-power power supply

Note: No change in product size is notified